

PT-605 Pressure Transmitter

Product Description:

The PT-605 flush pressure transmitter features an imported sensor core and a compact stainless steel isolation structure. It offers excellent stability, a wide temperature range, and a service life of over ten million cycles. Widely used in the food and sanitary industries, it is CE certified and can directly replace well-known branded products. OEM branding is available upon request.

Features:

Multiple measuring ranges and electrical connection options

Compact structure, convenient and reliable

High-frequency dynamic response

Suitable for high-temperature environments

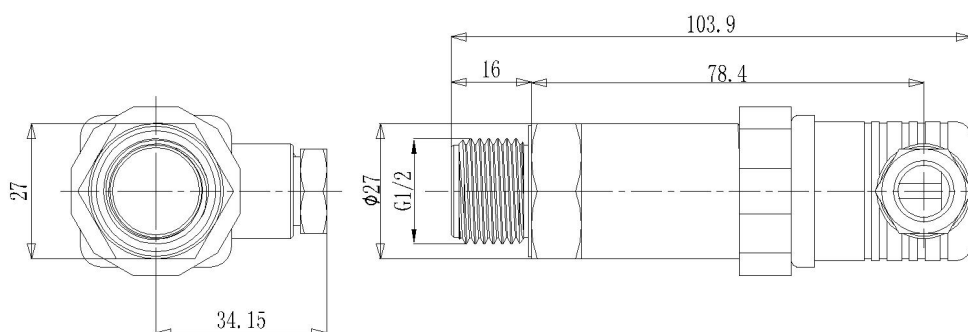
Long-term stability

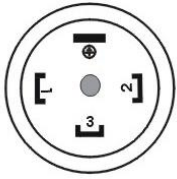
Technical Parameters:

Pressure range	0MPa~0.1MPa~10MPa	
Overload pressure	200%FS	
Accuracy	±0.25%FS、±0.5%FS	
Temperature shift	±0.02%FS/°C	
Working temperature	-40~85°C	
Output signal	4-20mA	0-10VDC
Power supply DC	3-5V	24V (10-36V)
Ingress	IP65	
Process connection	G1/2, M20*1.5 etc. customizable	
Electrical connection	Hirschmann GDM series	



Dimensions (unit mm) customizable:



Electrical connections:

Output definition	4-20mA	0-10V
Power+	①Red	①Red
Iout/power-	②Black	②Black
Vout	-	③White