

PT-701 Pressure Transmitter

Product Overview:

PT-701 pressure transmitter is a pressure transmitter developed by our company according to market needs. This product is widely used in a wide range of fields such as petroleum, chemical industry, metallurgy, shipbuilding, injection molding machines and engineering machinery. It has full temperature compensation, good electrical performance and long-term stability.

Key Features:

The whole machine has a waterproof ring structure, protection level IP65

304 stainless steel material is simple and beautiful, high performance and high strength

Adopt highly integrated bridge pressure sensor signal conditioning dedicated advanced chip, high precision and high stability

The power supply has reverse polarity protection, reliable performance, safe and convenient to use

Warming up the entire temperature range. Good electrical performance and long-term stability

Process connection and other special customization

OEM manufacturing is available upon request

1 year warranty

Technical Parameters:

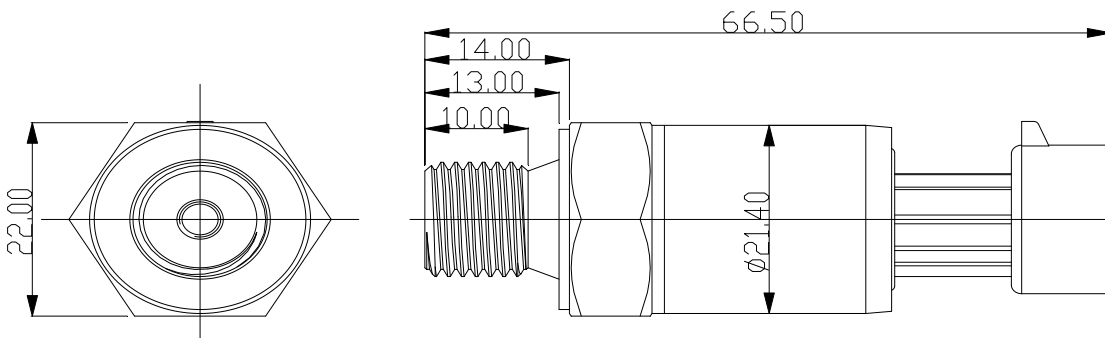
Range	0~100...600Bar
Overload pressure	2~1.25*FS%
Pressure Type	Gauge pressure
Process connection	G1/4, R1/4, etc., customizable
Comprehensive accuracy	±0.5% FS
Temperature compensation range	-10~70°C
Long-term stability	±0.3%FS/year
Operating temperature	-40~85°C
Storage temperature	-40~125°C
Supply voltage (DC)	12-36V
Output signal	4-20mA; 0-10V
Load resistance	50 (U-10) Ω [4-20mA], greater than 10KΩ [V]



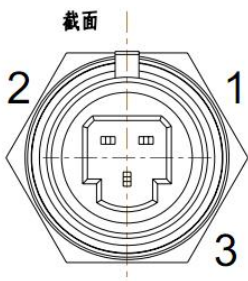
Electrical Connections	Parker plug
Protection level	IP65
Material	Sensor: ceramic; Shell: stainless steel 304 or SS316; Socket: PVC; Waterproof ring: nitrile rubber
Medium adaptability	Various fluids that are non-corrosive to 304 stainless steel and nitrile
vibration	10gRMS, (20~2000)Hz
Shock	100g, 11ms
insulation	More than 100MΩ @250VDC
Response time	Less than 1ms (@ 90% FS)
CE certification	EMC: IEC61326-1 Class B Electrostatic discharge immunity: IEC61000-4-2 Electromagnetic field immunity: IEC61000-4-3 EFT immunity: IEC61000-4-4 Surge immunity: IEC61000-4-5

Dimensions (mm):

Process connections can be customized



Electrical Connection:



plug	Wiring	Voltage output	Current output
1	red	Power supply positive VCC	Power supply positive VCC
2	black	Power negative GND	Current output Iout
3	white	Signal output Vout	NC